



Flanged Butterfly Valve Body Casting Double Sand Casting Iron QT450-10

Our Product Introduction

for more products please visit us on greycastironcasting.com

Basic Information

- Place of Origin: Ningbo China
- Brand Name: nc144
- Certification: ISO 9001 CE
- Model Number: 144
- Minimum Order Quantity: 1 pcs
- Packaging Details: According to customers' requirements
- Delivery Time: 25 days
- Payment Terms: T/T, L/C
- Supply Ability: 50,000 pcs per month



Product Specification

- Item Name: Butterfly Valve Body
- Material: Iron, QT450-10
- Technology: Technology: Sand Casting
- Business Type: Manufacturer
- Certification: CE/ISO9001/TS
- Pressure: PN10
- Highlight: **sand casting process, stainless steel sand casting**



More Images



Product Description

Flanged Butterfly Valve Body Casting Double Sand Casting Iron QT450-10

Description

Butterfly valve is mainly consisted of body, stem, disc, seat and driver (lever, gearbox, pneumatic and electric Actuator) and so on. On off and controlling flow of valve are made by turning stem and disc together.

It is widely utilized in foodstuff, pharmacy, chemical industry etc. and industrial environmental protection, water treatment, high building, water supply and drain tubing line open or close or adjusting medium.

We can make weld butterfly valve, wafer butterfly valve, flange butterfly valve we supply different body / disc materials such as cast iron, cast steel, stainless steel and bronze according to different working conditions.

Please see the following details of different types valves:

Gate valve:

Standard: DIN3352 F4 / DIN 3352 F5 / BS 5163 / BS 4504 / ANSI.

Seal: Metal seated gate valve, Rubber coat gate valve.

Material: Cast Iron(gg25) / Ductile Iron(ggg40/ggg50).

Connection: Flange end / Socket end / Threaded end / Wafer Type.

Pressure: PN10/16/25.

Butterfly valve:

Type: Wafer type butterfly valve / lug type butterfly valve/flange type butterfly valve(concentric and eccentric) / u type butterfly valve / grooved butterfly valve.

Pressure: PN10 / 16 / 25.

Material: Cast Iron(gg25) / Ductile Iron(ggg40/ggg50).

Standard: DIN/BS / ANSI.

Check valve:

Type: Wafer(dual)check valve / Swing check valve / Silent check valve / Ball check valve / lift check valve.

Pressure: PN10 / 16 / 25

Material: Cast Iron(gg25) / Ductile Iron(ggg40 / ggg50)

Standard: DIN / BS / ANSI.

Ball valve:

Material: Cast Iron(gg25) / Ductile Iron(ggg40 / ggg50)

Standard: ANSI / JIS

Type: Flange ball valve / Tee ball valve / Welding ball valve.

Globe valve:

Material: Cast Iron(gg25) / Ductile Iron(ggg40 / ggg50)

Type: Globe valve / Lift globe valve.

Strainer:

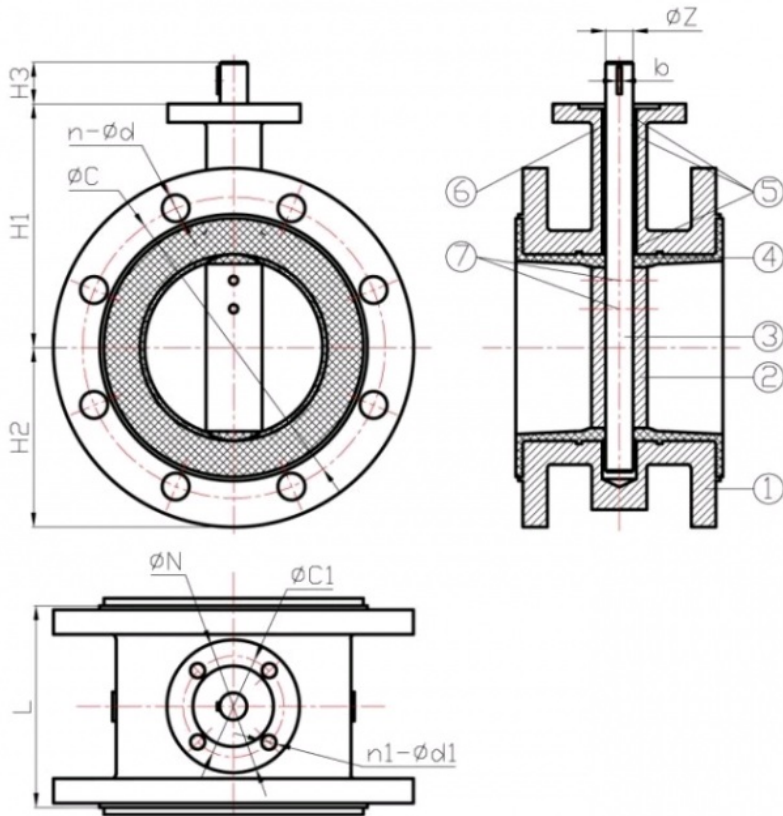
Material: Cast Iron(gg25) / Ductile Iron(ggg40 / ggg50)

Type: Y strainer / T strainer.

Other valves:

Foot valve, Marine Valve.

Product Details



Nominal Diameter	50(2")—800(32")	50(2")—800(32")
Nominal Pressure	1	1.6
Test Pressure	Shell	1.5
	Sealing	1.1
Working Temperature	-20°C — +120°C	
Suitable Mediums	Water, Oil, Gas, Sewage.	

Parts	Material
body	cast iron, ductile iron, carbon steel
seat	EPDM, NBR, VITON, PTFE
disc	nickel ductile iron, Al bronze, stainless steel
stem	2Cr13, stainless steel
bushing	PTFE
"O" ring	PTFE
pin	stainless steel
key	stainless steel

Why Choose Us

1. 100% pressure test, zero leakage;
2. High-end CNC machine tools, precise control of the Valve size;
3. Advanced valve Assembly lines, 25000 units / month;
4. Standard valve design adapted to national needs;
5. Advanced testing equipment, from raw material to finished product, full control of quality;
6. A variety of materials matching, is applicable to water supply, sewage, electric power, metallurgy, shipbuilding, building, petroleum chemical, food and other working conditions;
7. Provide professional technical support, within 1 day to provide the CAD, 3D and other technical information;



Sunrise Foundry CO.,LTD



+86-15067447509



sales@greycastironcasting.com



greycastironcasting.com