



1.5" 2" 2.5" DN100 Water Solenoid Valve Cast Iron Two Port Two Position Flanged

Our Product Introduction

for more products please visit us on greycastironcasting.com

Basic Information

- Place of Origin: Ningbo China
- Brand Name: NC140
- Certification: ISO 9001, CE
- Model Number: 140
- Minimum Order Quantity: 1 PCS
- Packaging Details: Customized
- Delivery Time: 25 days
- Payment Terms: L/C, T/T
- Supply Ability: 50,000 pcs per month



Product Specification

- Type: Water Solenoid Valve
- Material: Cast Iron
- Process: Casting
- Application: Chemical, petroleum, medicine, fertilize
- Port Size: 1.5" 2" 2.5" 3" 4" 5" 6" 8"
- Working Pressure: 0.5-8bar
- Voltage: AC110V AC220V 24V DC 12V
- Highlight: valve parts casting, sand casting process



More Images



Product Description

1.5" 2" 2.5" DN100 Water Solenoid Valve Cast Iron Two Port Two Position Flanged

Factory Information

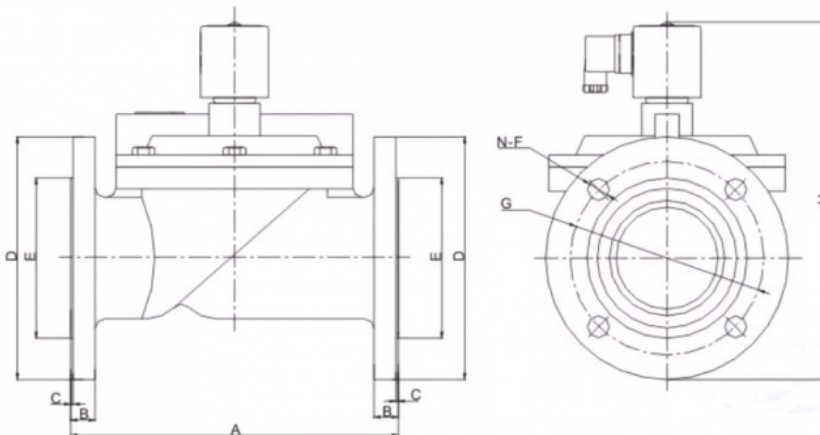
Our main products are gate valve, butterfly valve, ball valve, globe valve check valve, strainer and some other ductile pipe fittings, flanged pipe fittings.

We successively qualified by the API, CE, ISO, TS certification. Strictly according to the API, DIN, JIS, GB standard to produce the products. Because of the quality is very steady and competitive advantage price, our products has been welcomed by the Europe, America, South Africa, Middle east, South America, Southeast Asia.

We are looking forward to establishing long term and steady business relationship with you to achieve mutual benefit

Specification

Pattern:	Two-port two-position
Control mode:	Normally close / normally open
Valve body:	Cast Iron
Working pressure:	0.5~8bar
Max pressure:	10bar
Voltage:	AC220V AC110V DC12V DC24V
Medium:	air, water, hot water, oil etc
Application:	medium-pressure large-flow normally air water control system



Model	A	B	C	D	E	F	G	H	N
NC-40C	155	15	2	148	88	18	109	215	4
NC-50C	203	17	3	163	103	18	125	240	4
NC-65C	250	20	3	182	113	18	145	265	4
NC-80C	270	20	3	198	132	18	160	280	4
NC-100C	350	22	3	219	156	18	179	300	4

Our Service

- 1: Various style for each products and completely series valve products for you to choose from.
- 2: Large stock for fast shipping.
- 3: High quality with competitive price.
- 4: Sample order and small quantity order is OK.
- 5: Customize according to your special demand.
- 6: Provide free products information.
- 7: Reliable quality assured and active after-sell service.

Packing

- 1: Inner packing: opp bag, then carton box for each product.
- 2: Outer packing: export standard carton, Foam outside protecting the goods against damage.

Shipment and Payment

- 1: Usually we ship goods via sea or air
- 2: We try our best to ship your order within 1 week after receiving your payment
- 3: We'll send you the tracking number once your order has been sent.
- 4: We accept T/T Bank transfer, L/C.

FAQ

Q1. What's your MOQ? / Could you accept small orders?

A: For OEM order (customized logo etc.), difference items have different MOQ / We can accept small orders.

Q2. Could I get some samples before make order?

A: Yes, we can arrange sample for your quality checking, please kindly contact us for details.

Q3. How do you check all the goods in the production line?

A: We have inspection and finished product inspection. We check the goods when they go into next production procedure. All our parts are inspected with 100% QC.



Sunrise Foundry CO.,LTD



+86-15067447509



sales@greycastironcasting.com



greycastironcasting.com